



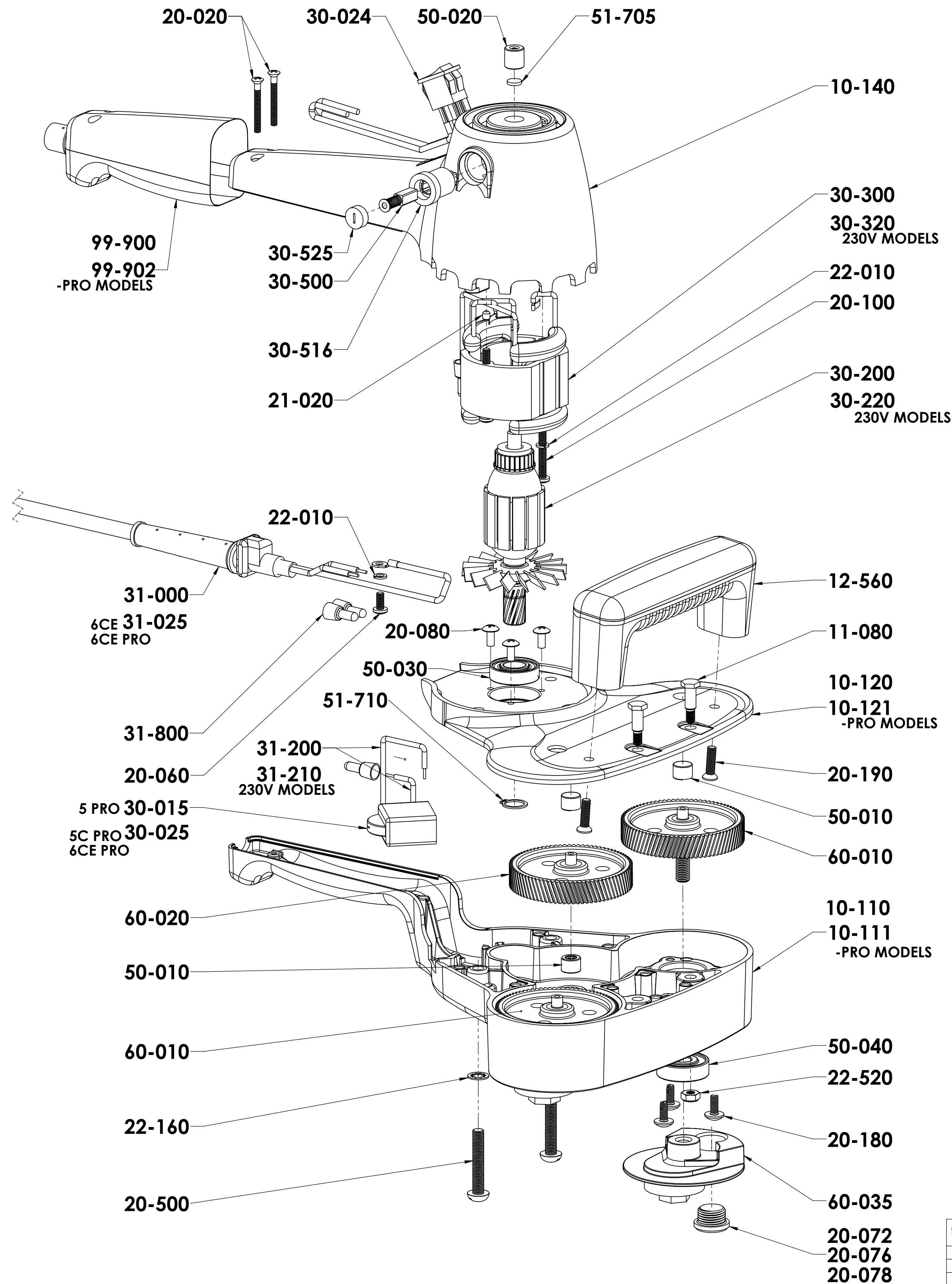
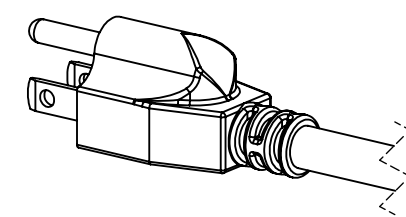
INTERACTIVE ORDERING

Make sure that you have internet access, then select your part(s) by clicking on the part number next to the part.

You may also use our online parts [Ordering Form](#) if you prefer.

You may continue to add other items such as pads or brushes to your shopping cart before checking out online.

PartNo	DESCRIPTION	QTY.
60-035	COUNTERWEIGHT ASSEMBLY, ADJUSTABLE	2
60-020	GEAR, HOBBED, IDLER	1
60-010	GEAR, HOBBED, DRIVE	2
51-710	EXTERNAL RETAINING RING, .5	1
51-705	OILER FELT FOR BRONZE BUSHING	1
50-040	BEARING, MAIN DRIVE GEAR	2
50-030	BEARING, LOWER MOTOR	1
50-020	BRONZE BUSHING	1
50-010	NEEDLE BEARING	4
31-800	CRIMP-ON WIRE CONNECTOR, 22-14 AWG, NYLON	5
31-200	WIRE LEAD, 18 AWG, TINNED, BLACK	2
31-000	POWER CORD ASSEMBLY, 10', US	1
31-025	POWER CORD ASSEMBLY, 10' 6CE & 6CE PRO (NOT US) PP	1
30-525	BRUSH HOLDER CAP	2
30-516	CARBON BRUSH HOLDER, STEPPED PROFILE	2
30-500	CARBON BRUSH, CONTOURED	1
30-300	FIELD 115V, 60Hz	1
30-200	ARMATURE, 115V, 60 Hz	1
30-024	SWITCH, ROCKER, DPST, 110, 220 v	1
30-015	SWITCH, CONTROLLER FOR VARIABLE SPEED TOOL, 110V, 6A	2
22-520	NUT FOR FRONT SHOULDER BOLT	2
22-160	WASHER, LOCK, STAR 1/4 INT TOOTH	3
22-010	SPLIT LOCK WASHER FOR FIELD, #8	2
21-020	SCREW, BRUSH HOLDER RETAINING	2
20-500	SL-PHMS 0.25-28 X 1.5	2
20-190	SCREW, FRONT HANDLE RETAINING	6
20-180	SCREW, MAIN BEARING, RETAINING	2
20-100	SCREW, FIELD RETAINING	1
20-080	SCREW, MOTOR BEARING HOLD	3
20-060	SCREW, GROUNDING (8-32 X .375 PAN, PHIL)	1
20-020	SCREW, REAR HANDLE (6-32 X 1.25 PHIL OVAL)	2
99-900	SHRINK WRAP, HANDLE, BLACK	2
99-902	SHRINK WRAP, HANDLE, BLUE	1
12-560	ASSY HANDLE, FRONT	1
11-080	BOLT, SHOULDER, HEX, 10-32 X .875	1
10-140	CASE, MOTOR, MODEL 5/5C, MACHINED, MARK II	1
10-121	PLATE, COVER, ELECTRIC, MACHINED, VARIABLE SPEED, MARK II	1
10-111	CASE, GEAR, MACHINED, VARIABLE SPEED, MARK II	1



REVISIONS			
REV.	DESCRIPTION	DATE	APPROVED
A	INITIAL RELEASE	1/12/2015	D. BLAKE

PROJECTION: THIRD ANGLE	UNLESS OTHERWISE SPECIFIED: DIMENSIONS ARE IN INCHES	NAME D. BLAKE	DATE 1/12/2015		RUPES USA, Inc. 14320 Longs Peak Ct. Longmont, CO 80504 USA Voice: +1 970 535 9100 Fax: +1 303 723 8880 www.cyclotoolmakers.com
TOLERANCES: FRACTIONAL: 1/16" A ANGULAR: ±0.5 DECIMAL: X ±.03 DECIMAL: .XX ±.01 DECIMAL: .XXX ±.005 BREAK EDGES: .005/.020 Fillet RADIUS: .005/.020	CHECKED ENG APPR. MFG APPR. D.A.	D. BLAKE	1/12/2015		
PROPRIETARY AND CONFIDENTIAL THE INFORMATION CONTAINED IN THIS DRAWING IS THE SOLE PROPERTY OF RUPES USA, INC. ANY REPRODUCTION IN PART OR AS A WHOLE WITHOUT THE WRITTEN PERMISSION OF RUPES USA, INC. IS PROHIBITED.		INTERPRET DIMENSIONS & GEOMETRIC TOLERANCING PER ANSI Y14.5M	MATERIAL USED ON	COMMENTS:	SCALE: 2:3 WEIGHT: 1lb SHEET 1 OF 1